

## Disc handwheels

Aluminium, black, plastic coated

### SPECIFICATION

#### Types

- Type **A**: without handle
- Type **R**: with revolving handle

#### Bore codes

- Version **B**: without keyway
- Version **K**: with keyway

Aluminium

- Hub machined
- Rim turned

Rim concentric and square to bore < 0.4

Wheel body

plastic coated

black, textured finish

Cylindrical Revolving handles GN 798 (see page 577)

- Plastic, technopolymer, black matt
- Spindle steel, zinc plated, blue passivated

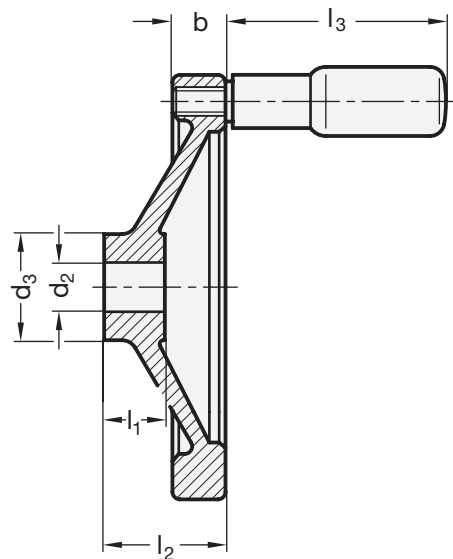
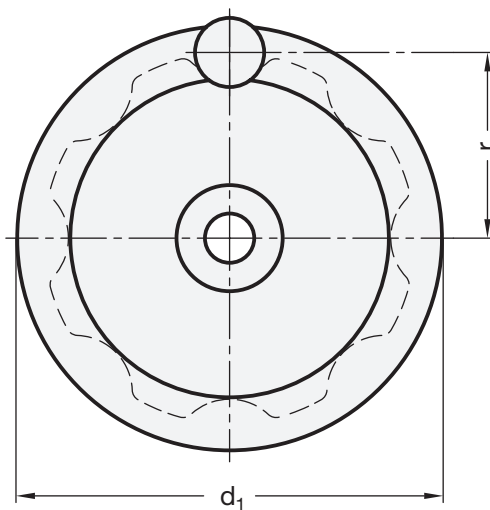
### INFORMATION

Disc handwheels GN 323 have recessed grips at their back.

- Countersunk washers GN 184 (for axial fixing) (see page 971)

### TECHNICAL INFORMATION

- Keyway P9 DIN 6885 (see page A16)
- Cross holes GN 110 (for axial fixing) (see page A17)
- ISO-Fundamental tolerances (see page A21)



## GN 323-A

Description	d1	d2 H7	d3	b	l1	l2 ≈	⚖
GN 323-80-B10-A	80	10	26	13	16	26	136
GN 323-80-K10-A	80	10	26	13	16	26	134
GN 323-80-B12-A	80	12	26	13	16	26	130
GN 323-80-K12-A	80	12	26	13	16	26	128
GN 323-100-B10-A	100	10	28	14	17	30	211
GN 323-100-K10-A	100	10	28	14	17	30	200
GN 323-100-B12-A	100	12	28	14	17	30	216
GN 323-100-K12-A	100	12	28	14	17	30	214
GN 323-125-B12-A	125	12	31	15	18	33	321
GN 323-125-K12-A	125	12	31	15	18	33	300
GN 323-125-B14-A	125	14	31	15	18	33	316
GN 323-125-K14-A	125	14	31	15	18	33	313
GN 323-140-B14-A	140	14	36	16.5	19	36	380
GN 323-140-K14-A	140	14	36	16.5	19	36	377
GN 323-140-B16-A	140	16	36	16.5	19	36	431
GN 323-140-K16-A	140	16	36	16.5	19	36	400
GN 323-160-B14-A	160	14	36	18	20	39	535
GN 323-160-K14-A	160	14	36	18	20	39	520
GN 323-160-B16-A	160	16	36	18	20	39	568
GN 323-160-K16-A	160	16	36	18	20	39	560
GN 323-200-B18-A	200	18	45	20.5	24	45	926
GN 323-200-K18-A	200	18	45	20.5	24	45	920
GN 323-200-B20-A	200	20	45	20.5	24	45	896
GN 323-200-K20-A	200	20	45	20.5	24	45	891
GN 323-250-B22-A	250	22	48	23	28	51	1546
GN 323-250-K22-A	250	22	48	23	28	51	1541
GN 323-250-B26-A	250	26	48	23	28	51	1416
GN 323-250-K26-A	250	26	48	23	28	51	1400

## GN 323-R

Description	d1	d2 H7	d3	b	l1	l2 ≈	l3 ≈	r	Ø Handle	⚖
GN 323-80-B10-R	80	10	26	13	16	26	44	33.5	16	155
GN 323-80-K10-R	80	10	26	13	16	26	44	33.5	16	150
GN 323-80-B12-R	80	12	26	13	16	26	44	33.5	16	160
GN 323-80-K12-R	80	12	26	13	16	26	44	33.5	16	155
GN 323-100-B10-R	100	10	28	14	17	30	58.5	42.5	18	220
GN 323-100-K10-R	100	10	28	14	17	30	58.5	42.5	18	210
GN 323-100-B12-R	100	12	28	14	17	30	58.5	42.5	18	200
GN 323-100-K12-R	100	12	28	14	17	30	58.5	42.5	18	190
GN 323-125-B12-R	125	12	31	15	18	33	61.5	54	22	390
GN 323-125-K12-R	125	12	31	15	18	33	61.5	54	22	385
GN 323-125-B14-R	125	14	31	15	18	33	61.5	54	22	380
GN 323-125-K14-R	125	14	31	15	18	33	61.5	54	22	375
GN 323-140-B14-R	140	14	36	16.5	19	36	76.5	61	24	440
GN 323-140-K14-R	140	14	36	16.5	19	36	76.5	61	24	438
GN 323-140-B16-R	140	16	36	16.5	19	36	76.5	61	24	430
GN 323-140-K16-R	140	16	36	16.5	19	36	76.5	61	24	420
GN 323-160-B14-R	160	14	36	18	20	39	76.5	71	24	660
GN 323-160-K14-R	160	14	36	18	20	39	76.5	71	24	650
GN 323-160-B16-R	160	16	36	18	20	39	76.5	71	24	643
GN 323-160-K16-R	160	16	36	18	20	39	76.5	71	24	640
GN 323-200-B18-R	200	18	45	20.5	24	45	86.5	89	25	1051
GN 323-200-K18-R	200	18	45	20.5	24	45	86.5	89	25	1040
GN 323-200-B20-R	200	20	45	20.5	24	45	86.5	89	25	1021
GN 323-200-K20-R	200	20	45	20.5	24	45	86.5	89	25	1010
GN 323-250-B22-R	250	22	48	23	28	51	86.5	113	25	1671
GN 323-250-K22-R	250	22	48	23	28	51	86.5	113	25	1660
GN 323-250-B26-R	250	26	48	23	28	51	86.5	113	25	1536
GN 323-250-K26-R	250	26	48	23	28	51	86.5	113	25	1520

